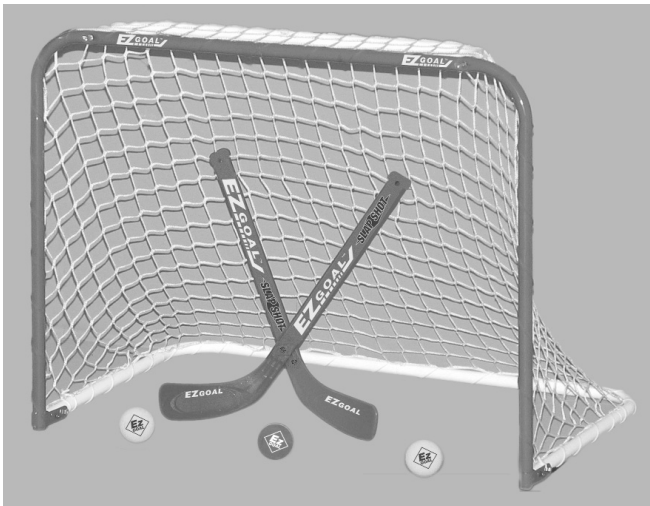


# EZGOAL™

# #67200<sup>T</sup>



## 30"x23" BACK FOLDING HOCKEY GOAL



No.	Drawing	Description	Part #	Qty.
1		Folding section post and base	9152	2
2		Left top corner post with swedge	9151	1
3		Right top corner post	9156	1
4		Corner bottom base with swedge	9154	1
5		Corner bottom base plain	9155	1
6		Top shelf tube with swedge	9157	1
7		Top shelf tube plain	9158	1
8		Pull pin for folding	9160	2
9		Screws	9161	2
10		Hockey net 30" x 23"	9159	1
11		Black lacing rope 12'	9150	1
12		White lacing rope 10'	9149	1
13		Left stick	9163	1
14		Right stick	9164	1
15		Mini balls	9165	3

**Installation Instructions**  
Please read instructions **COMPLETELY** before assembly.



**DO NOT RETURN PRODUCT TO THE STORE**

**Missing Parts, Need Placements, or Help with Assembly**

**Please Contact Customer Service:**

**203 933 4442**  
West Haven, CT 06516

**NOTE: Precision connection will fit snugly, use a rubber mallet or block of wood if needed.**

## 1. Begin assembly

Begin assembly at the base of the goal and work upwards. Follow the diagram. Insert top shelf screws, do not overtighten. Note: Pull pins from both folding legs and unfold. Reinsert pins to lock position prior to assembly.

## 2. Lacing the goal net

Open the goal and put pin in.

Place the sewn part of the net at the top corners, by the top shelf.

*(See Figure 1 & 2).*

Tape or secure the net to the frame.

This makes it easy to lace Figure 1 & 2.

The black rope is for the red frame.

White rope is for the white base frame wire.

## 3. Lacing front of goal

The black rope is for the red frame.

Start at the bottom corner.

Loop and tie off net and frame with a double knot at the little hole on the folding section. *(See Figure 3).*

Lace every **OTHER** box of the net. Tie off to the other side of the net to the hole on the folding section. *(See Figure 4).*

## 4. Lacing bottom base

Use the white rope to lace the base.

Loop and tie the net and frame together.

*(See Figure 3).*

Lace every **OTHER** box of the net. Tie off to the other side. Loop and tie off the net of the frame. *(See Figure 4).*

## 5. Finishing

Cut the extra rope and tie the pins to the net, so it does not get lost.

*(See Figure 5).*

## 6. Folding & storage

Pull two pins out, fold the goal and re-insert pins in top hole for storage.

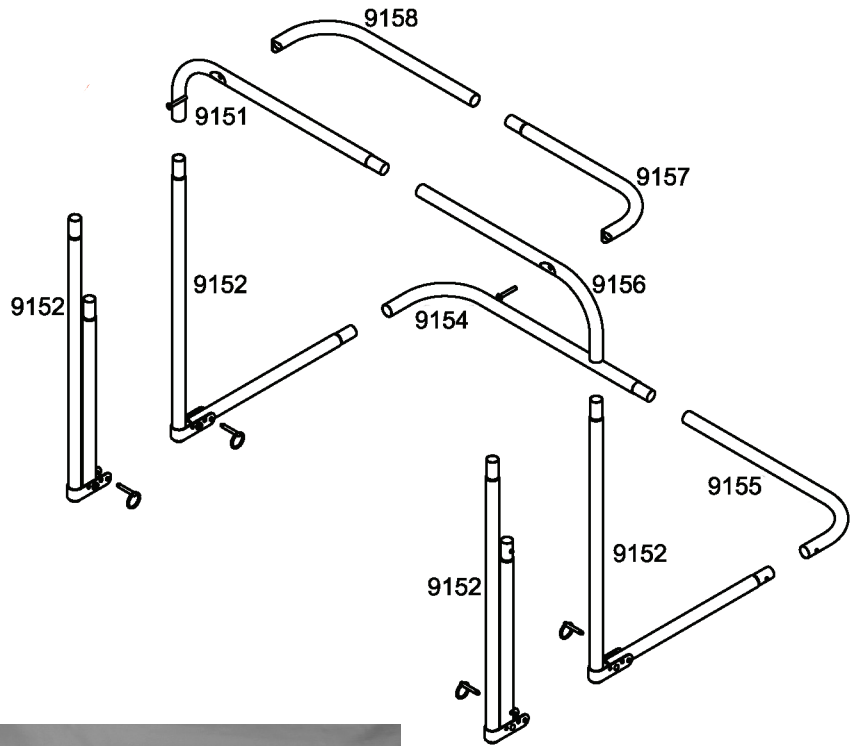


Figure 1

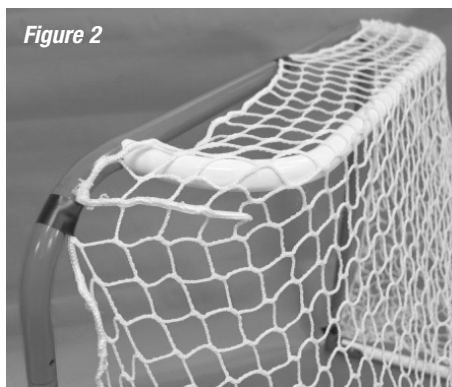


Figure 2

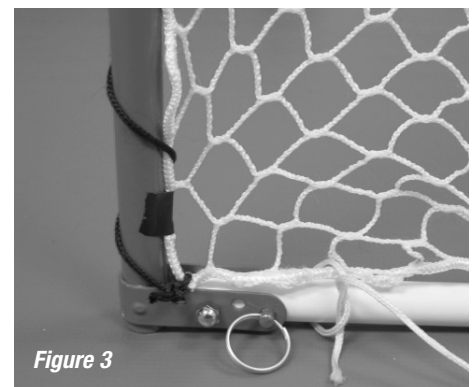


Figure 3

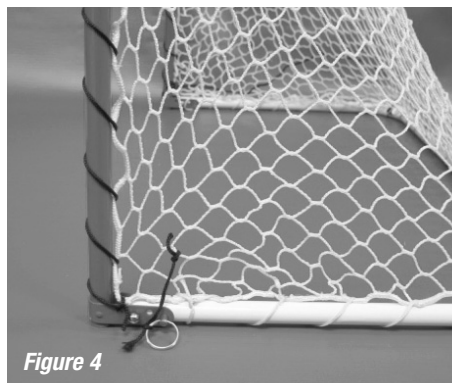


Figure 4

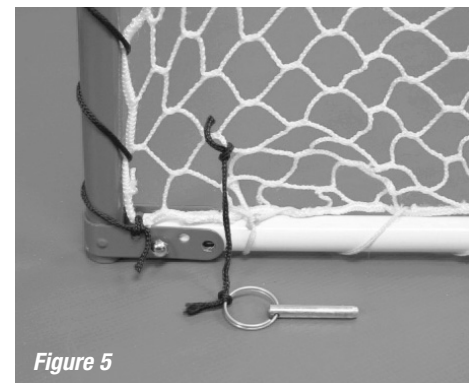


Figure 5